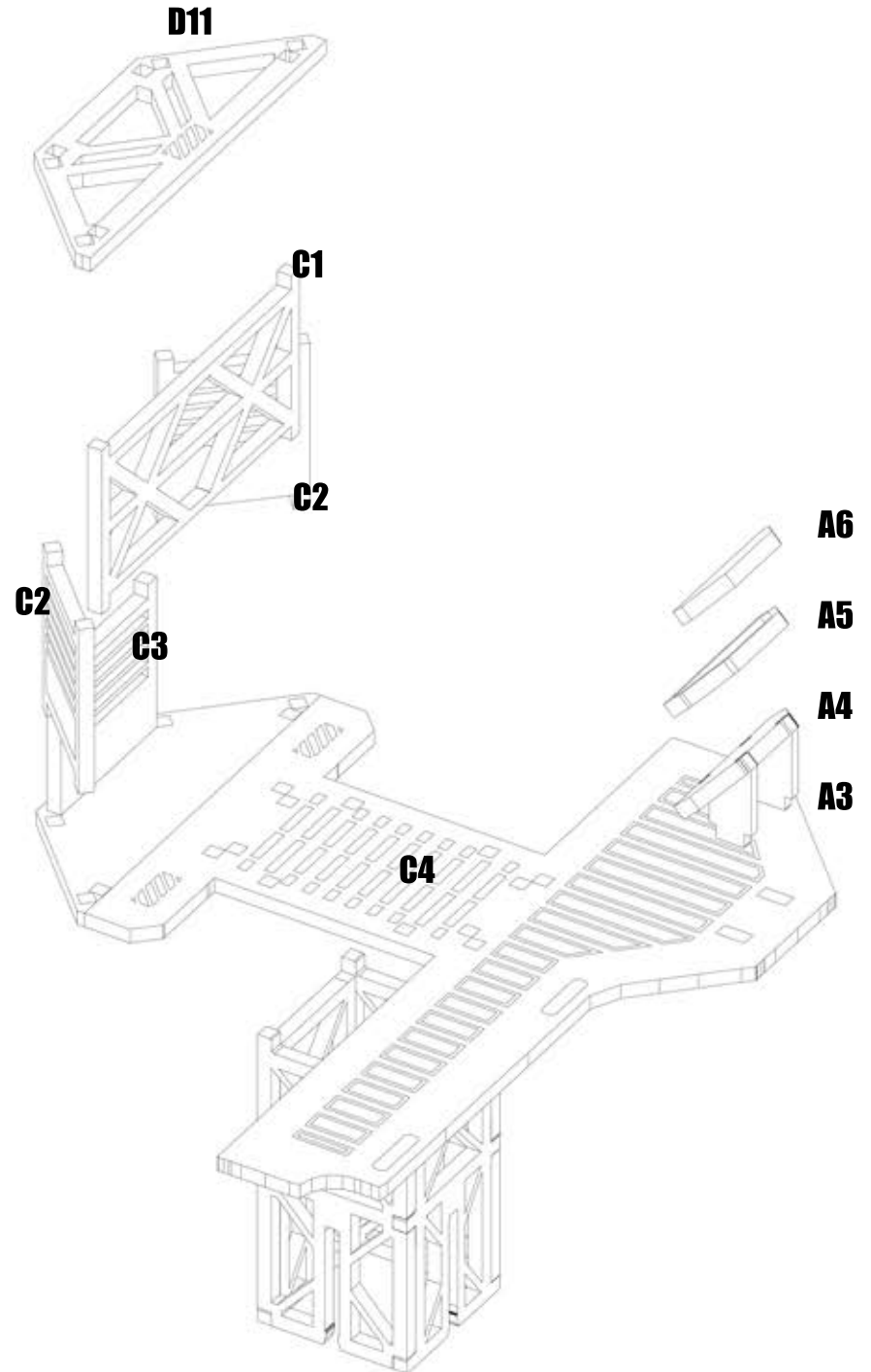
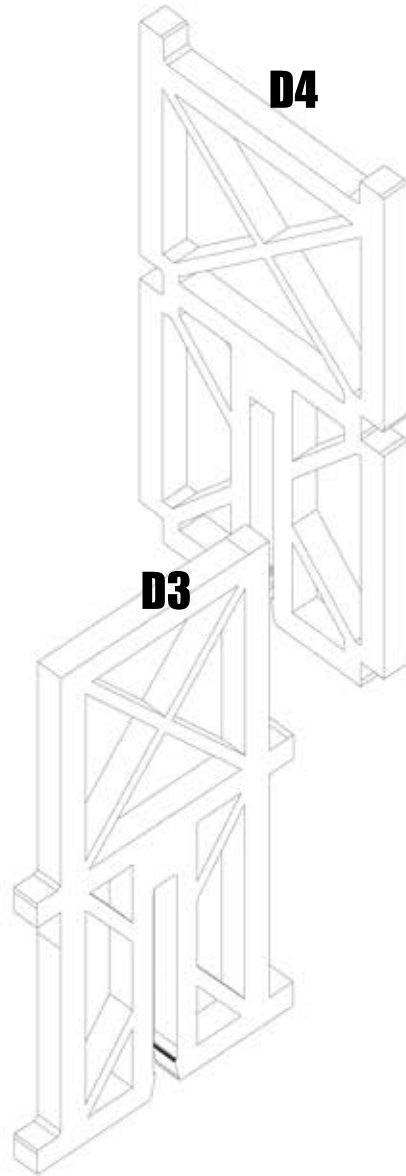
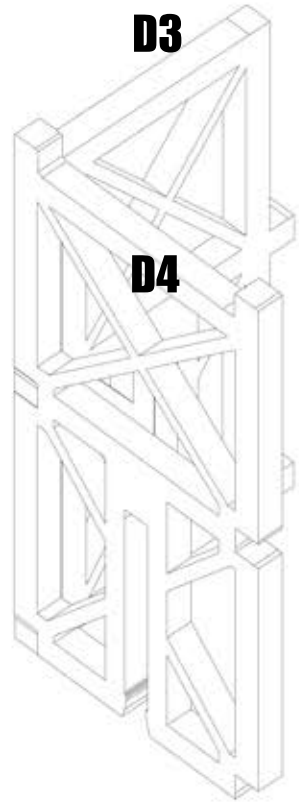


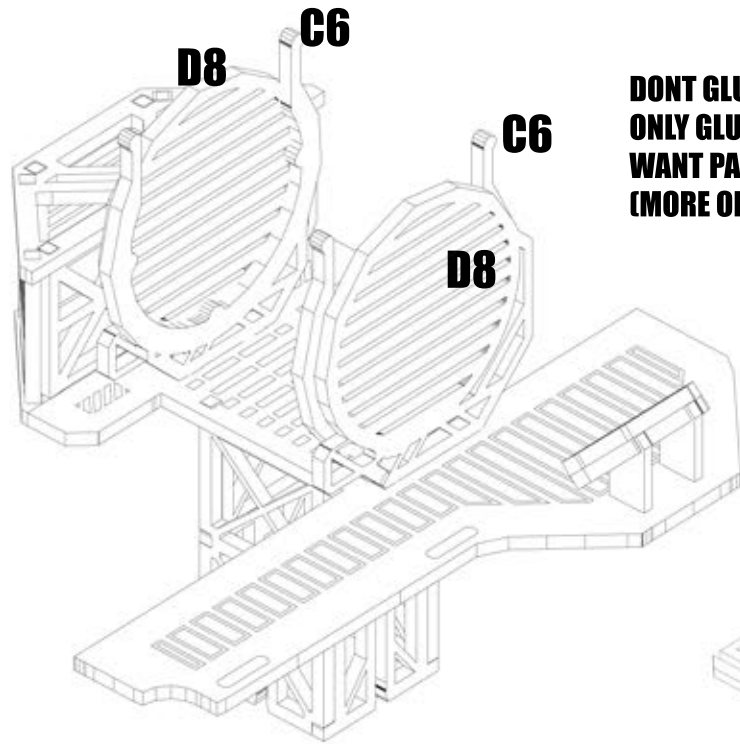


HEAVY SERVO LIFT

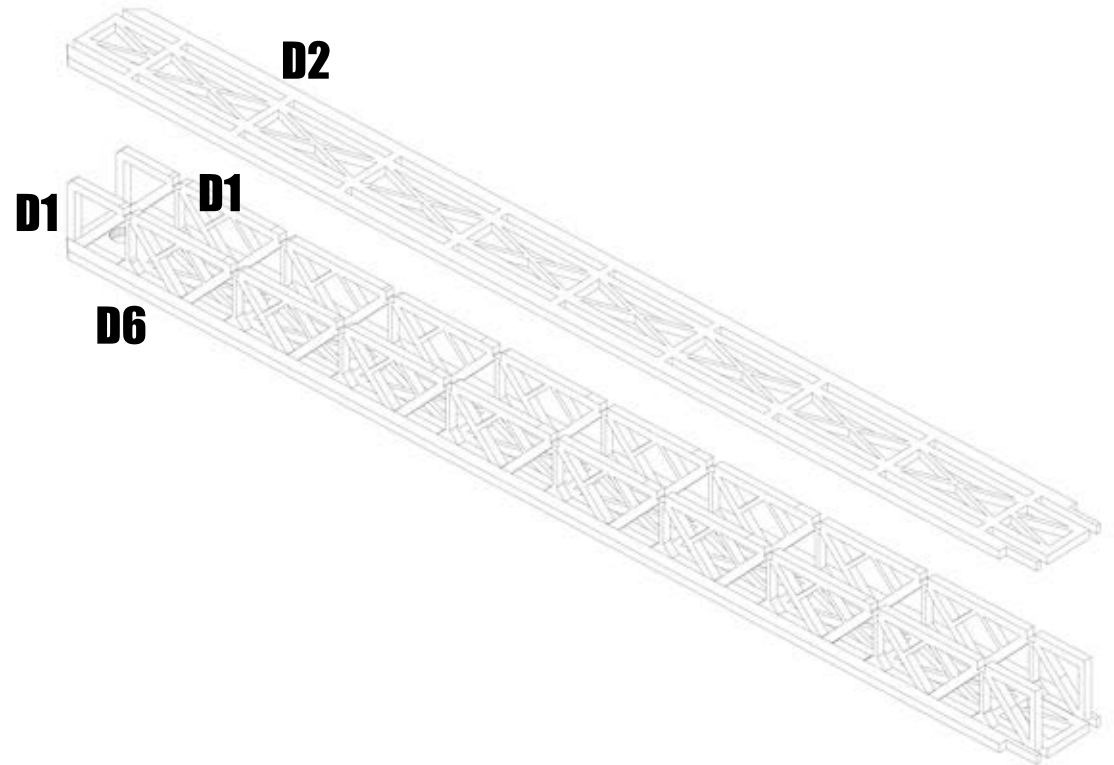




HEAVY SERVO LIFT

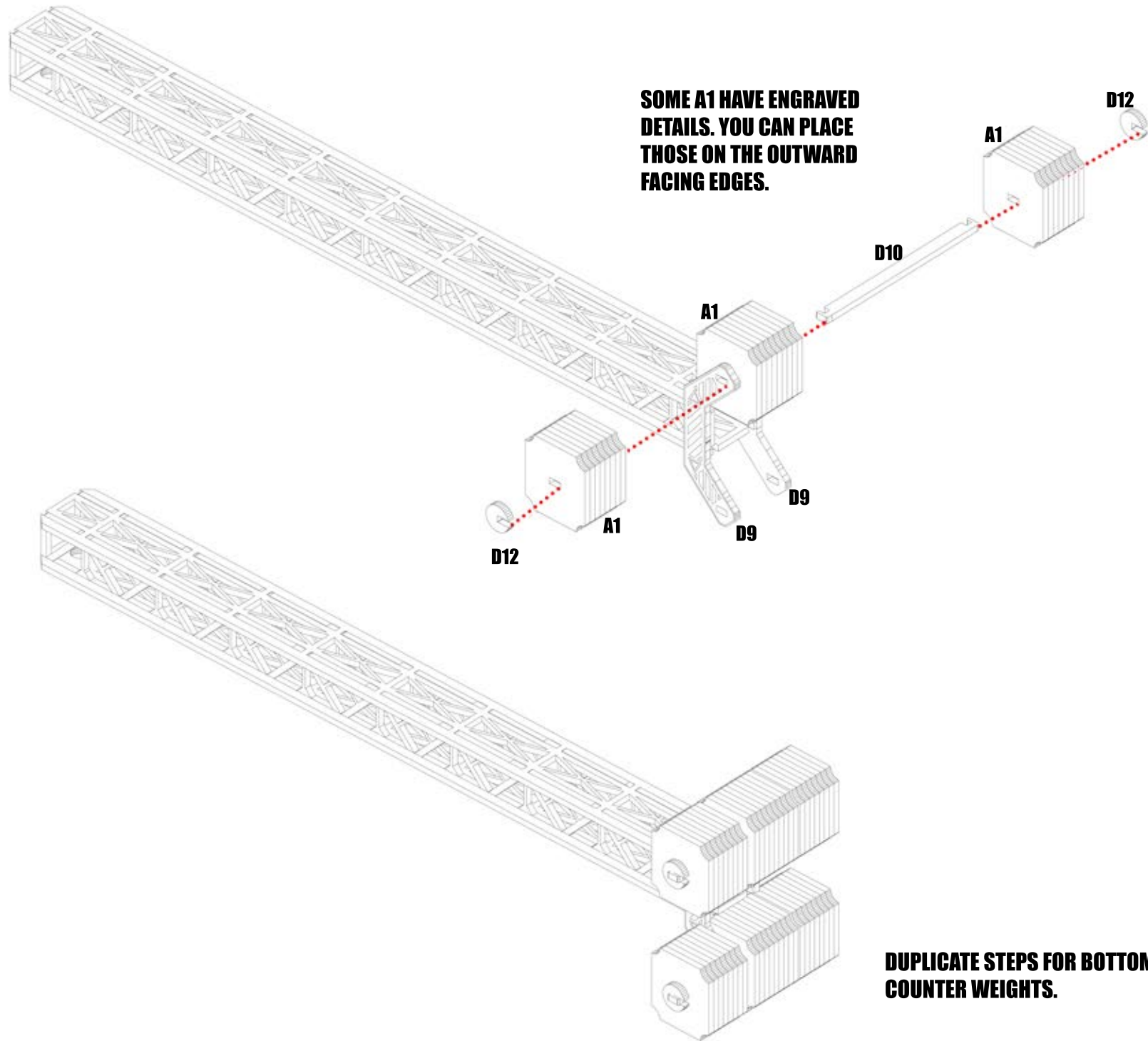


**DONT GLUE PARTS C6 AND D8 TOGETHER.
ONLY GLUE THEM INTO THE PLATFORM. YOU
WANT PART C6 TO STILL BE ABLE TO FLEX OPEN
(MORE ON THIS LATER)**





HEAVY SERVO LIFT



**SOME A1 HAVE ENGRAVED
DETAILS. YOU CAN PLACE
THOSE ON THE OUTWARD
FACING EDGES.**

D10

A1

D12

A1

D9

A1

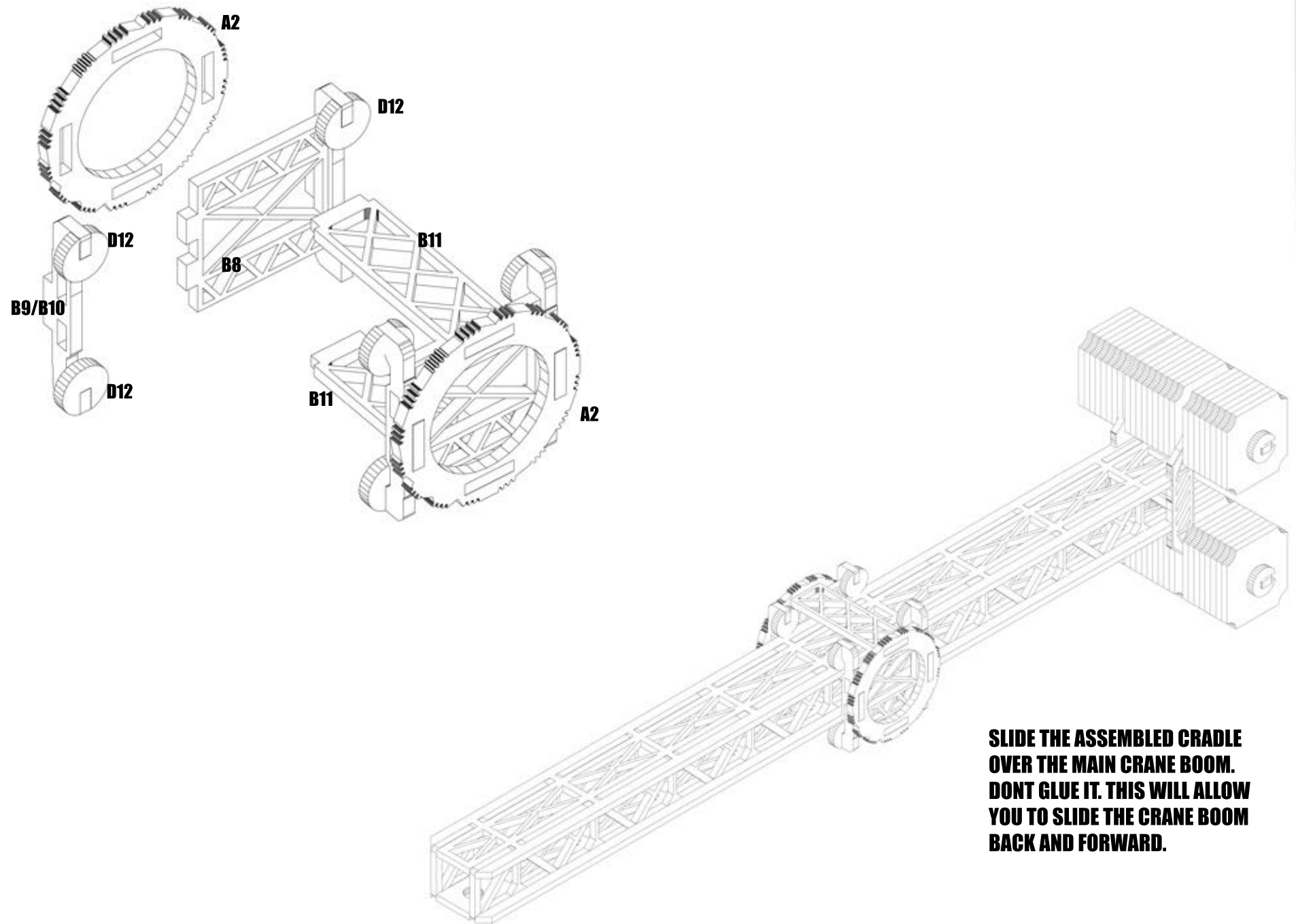
D12

D9

**DUPLICATE STEPS FOR BOTTOM
COUNTER WEIGHTS.**

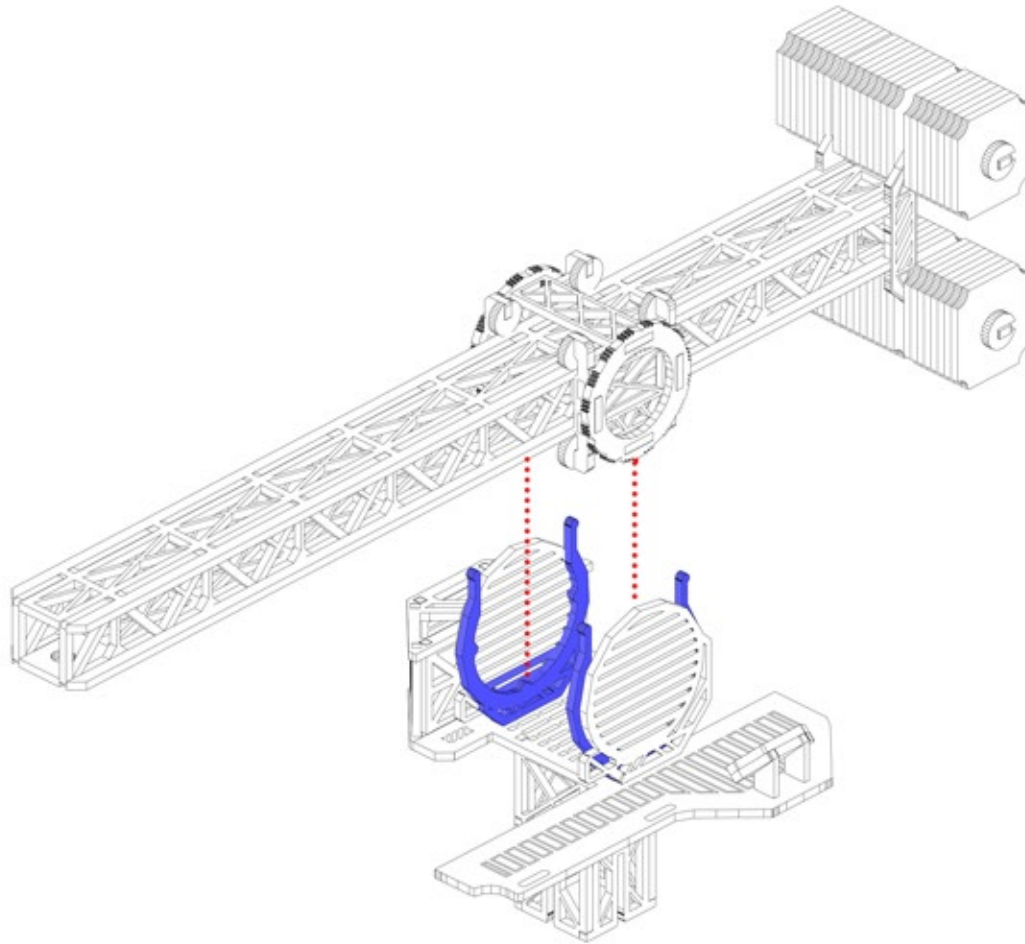


HEAVY SERVO LIFT

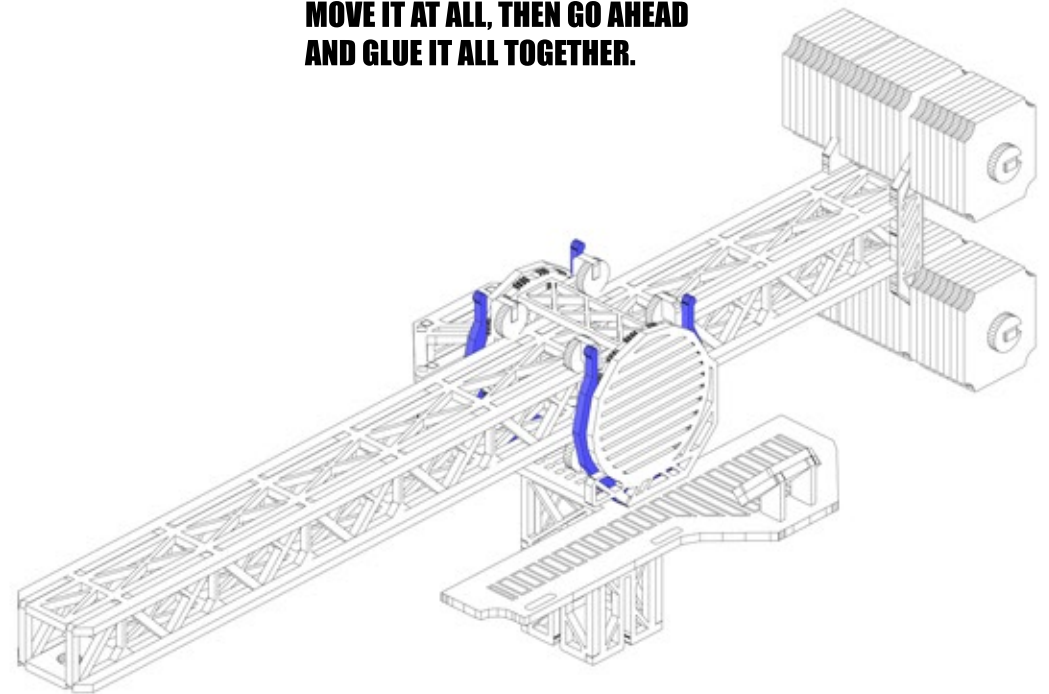




HEAVY SERVO LIFT



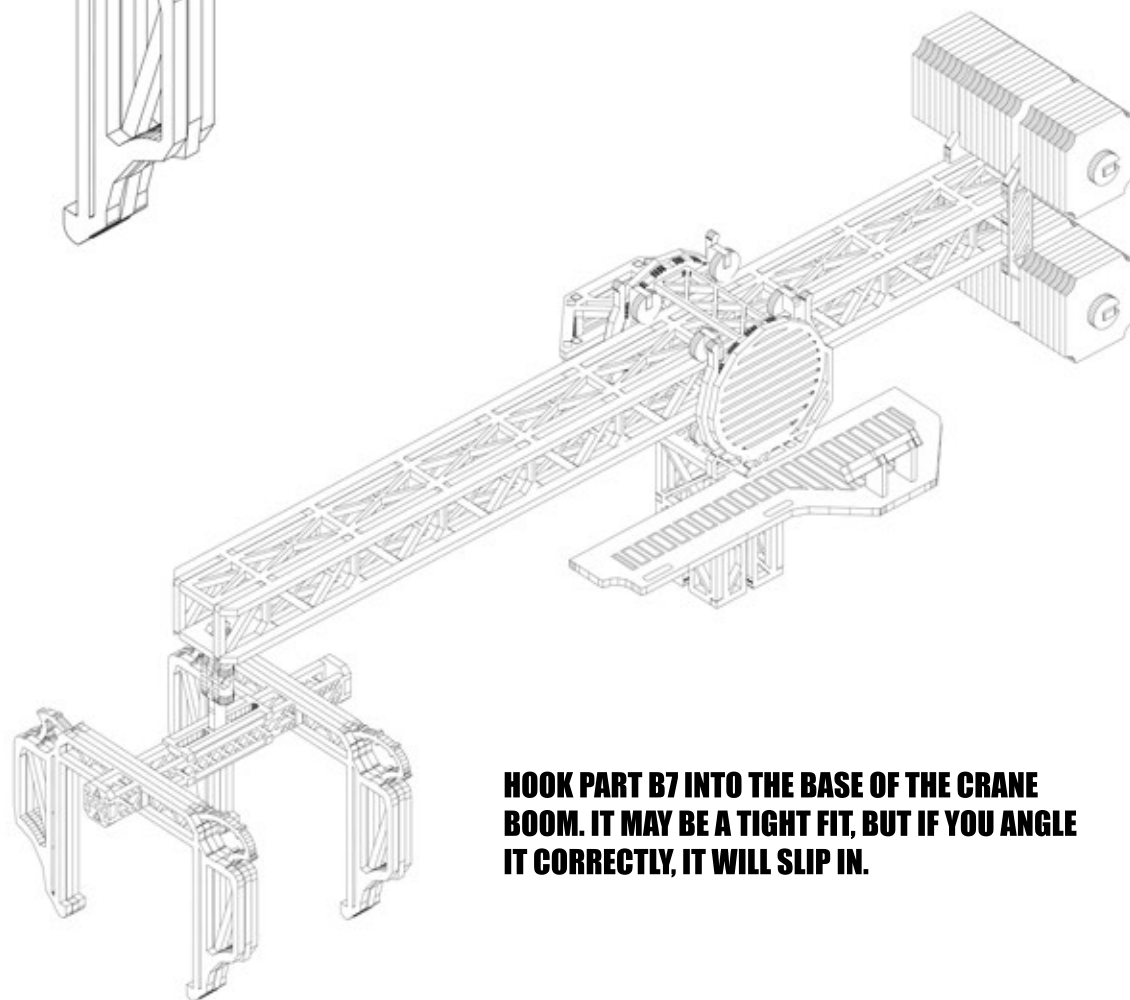
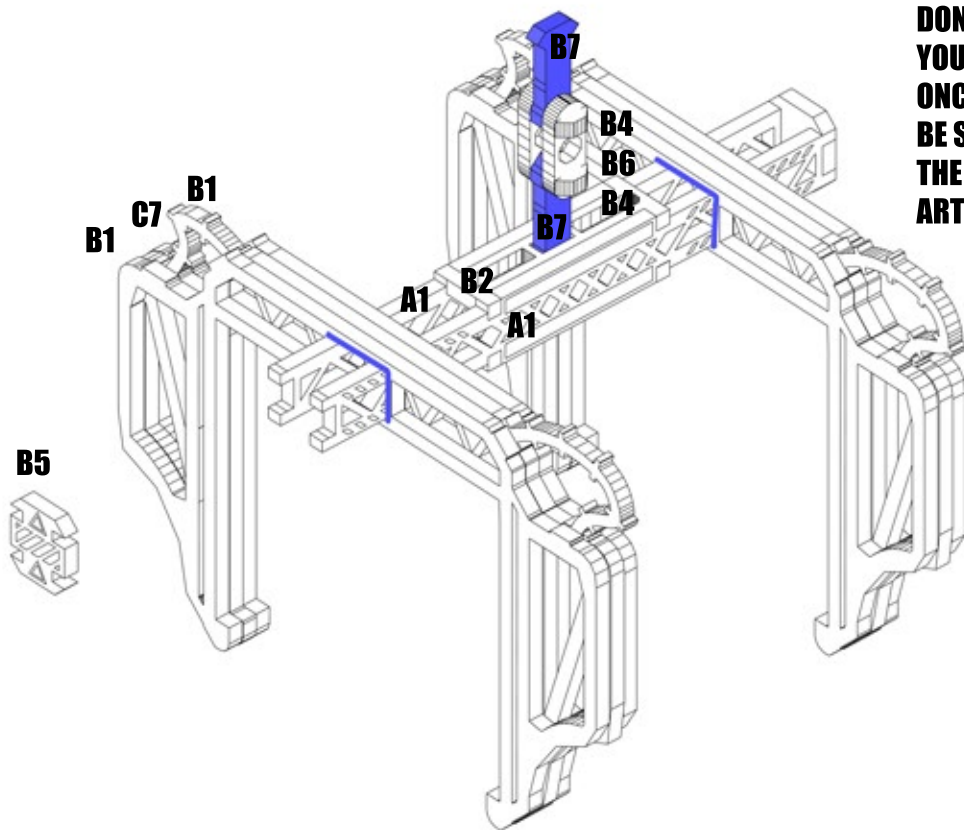
SLIGHTLY BEND/PULL APART THE HANDLES OF PART C6. YOU CAN THEN SLIDE THE MAIN BOOM ASSEMBLY INTO THE PLATFORM. YOU CAN ADJUST THE PITCH OF THE BOOM ARM BY SPREADING THE HANDLES APART, IF YOU DONT WANT TO MOVE IT AT ALL, THEN GO AHEAD AND GLUE IT ALL TOGETHER.





HEAVY SERVO LIFT

**DONT GLUE THE BLUE SECTIONS.
YOU CAN ADJUST THE CRATE CLAMPS.
ONCE PARTS B5 ARE GLUED ON, THEY WILL
BE SECURE. ALSO DONT GLUE PARTS B7 INTO
THE CHAIN, THIS WILL ALLOW IT TO MOVE AND
ARTICULATE.**



**HOOK PART B7 INTO THE BASE OF THE CRANE
BOOM. IT MAY BE A TIGHT FIT, BUT IF YOU ANGLE
IT CORRECTLY, IT WILL SLIP IN.**