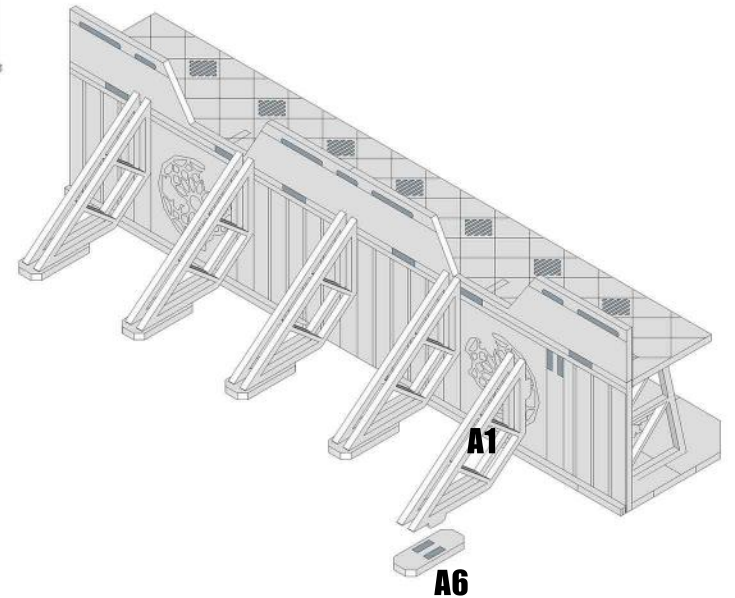
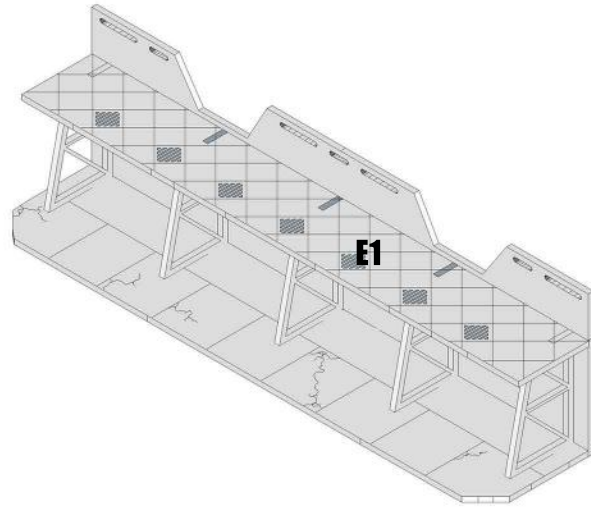
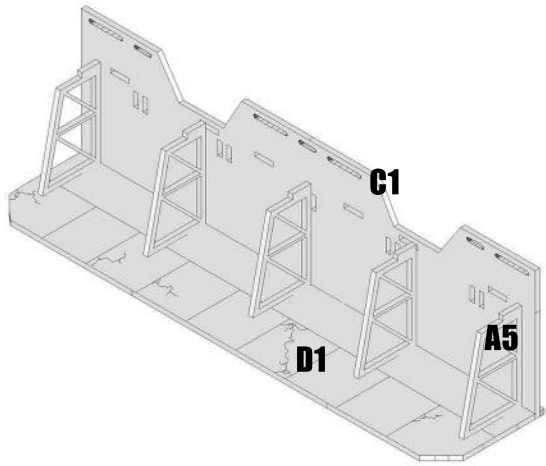




# PBS FRONTIER OUTPOST





# PBS FRONTIER OUTPOST

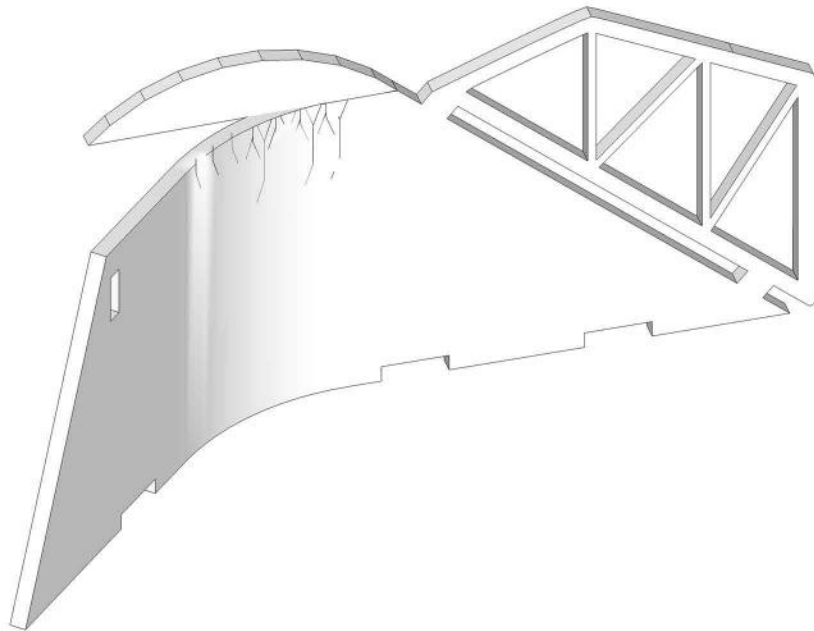


**ATTACH ACRYLIC  
PARTS**

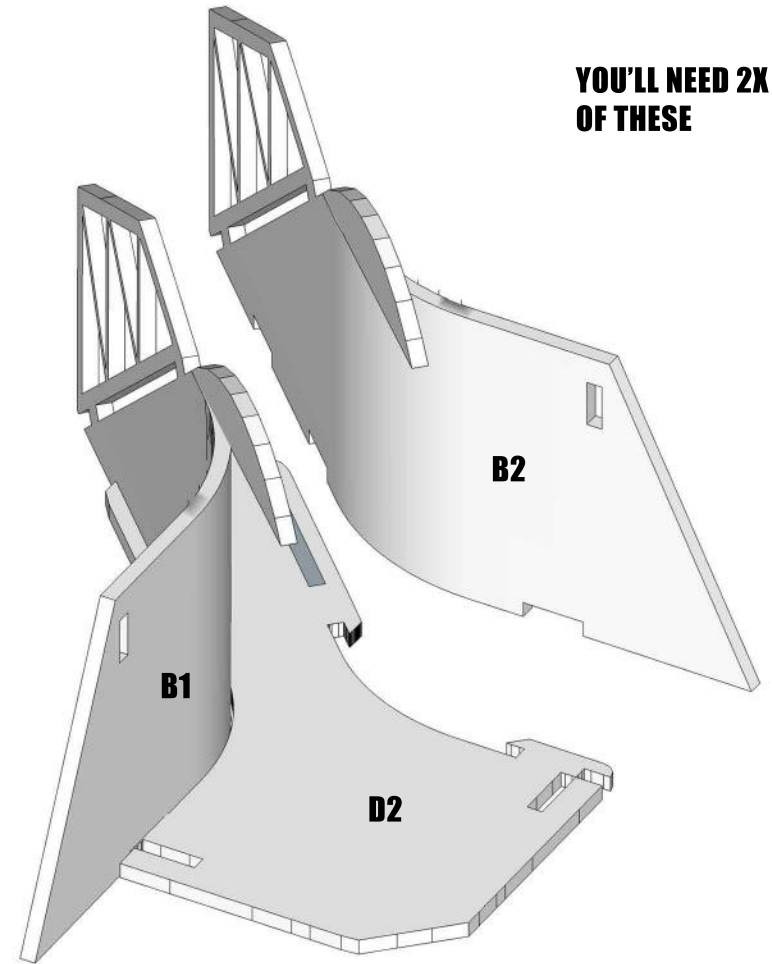


# PBS FRONTIER OUTPOST

**YOU'LL NOTICE THESE PARTS WILL BEND**

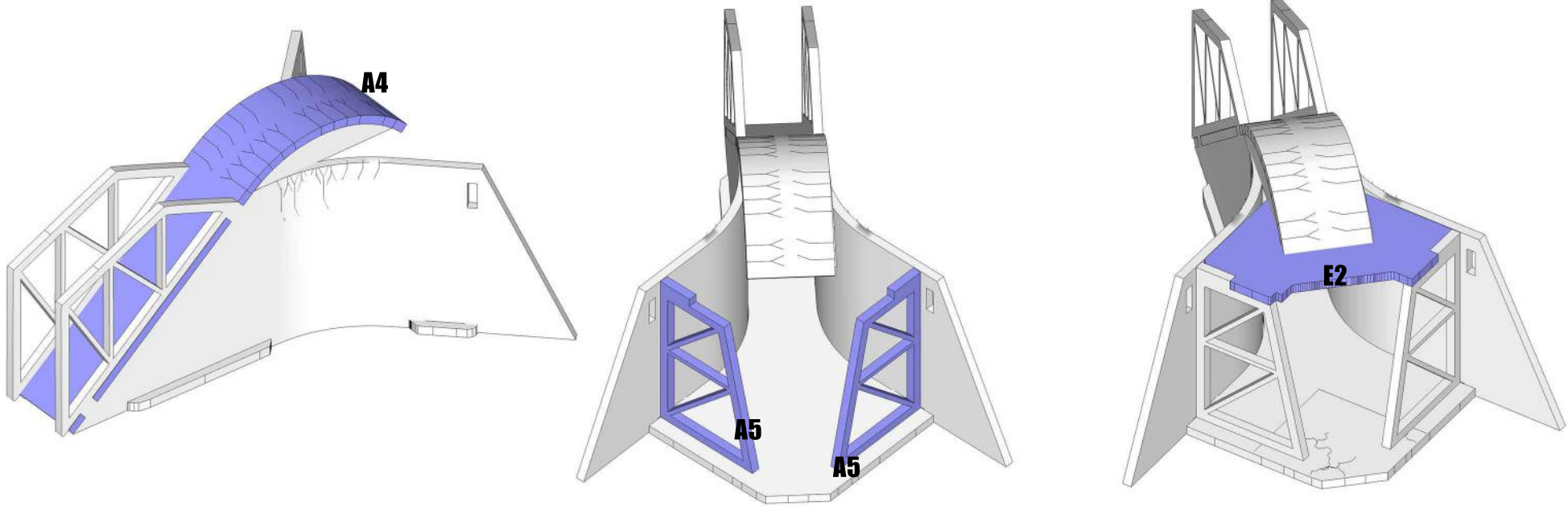


**YOU'LL NEED 2X  
OF THESE**





# PBS FRONTIER OUTPOST





# PBS FRONTIER OUTPOST

