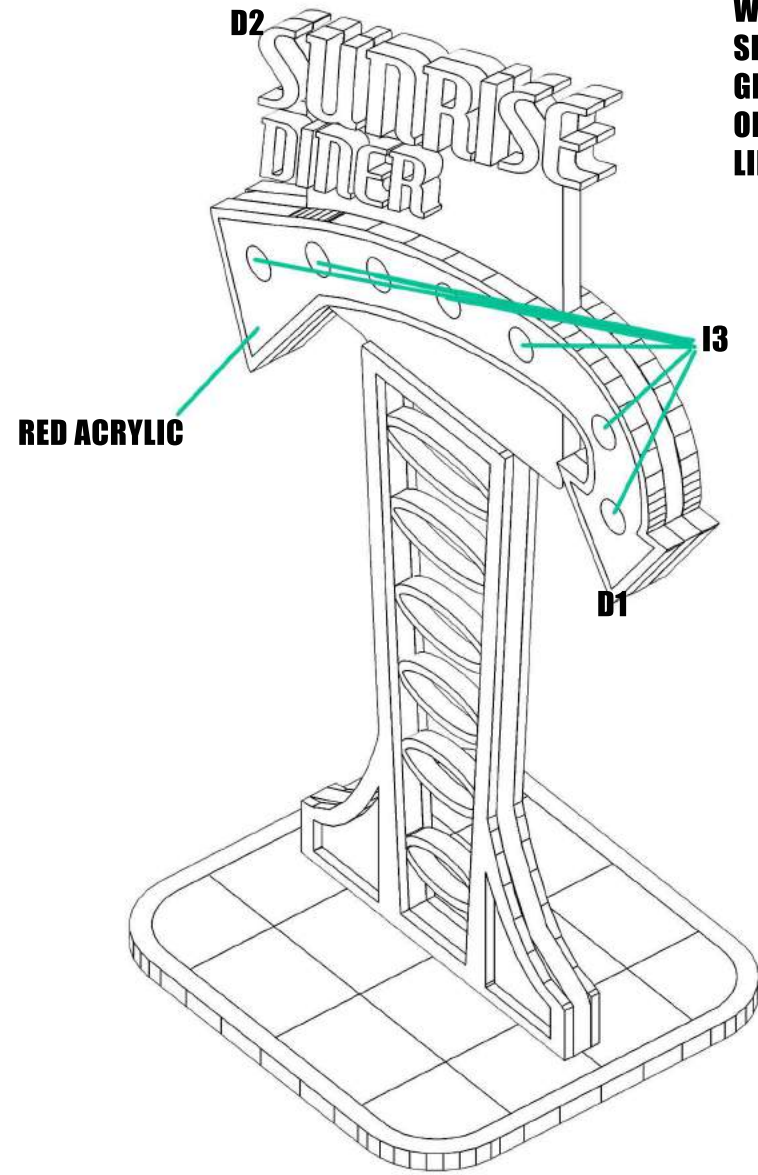
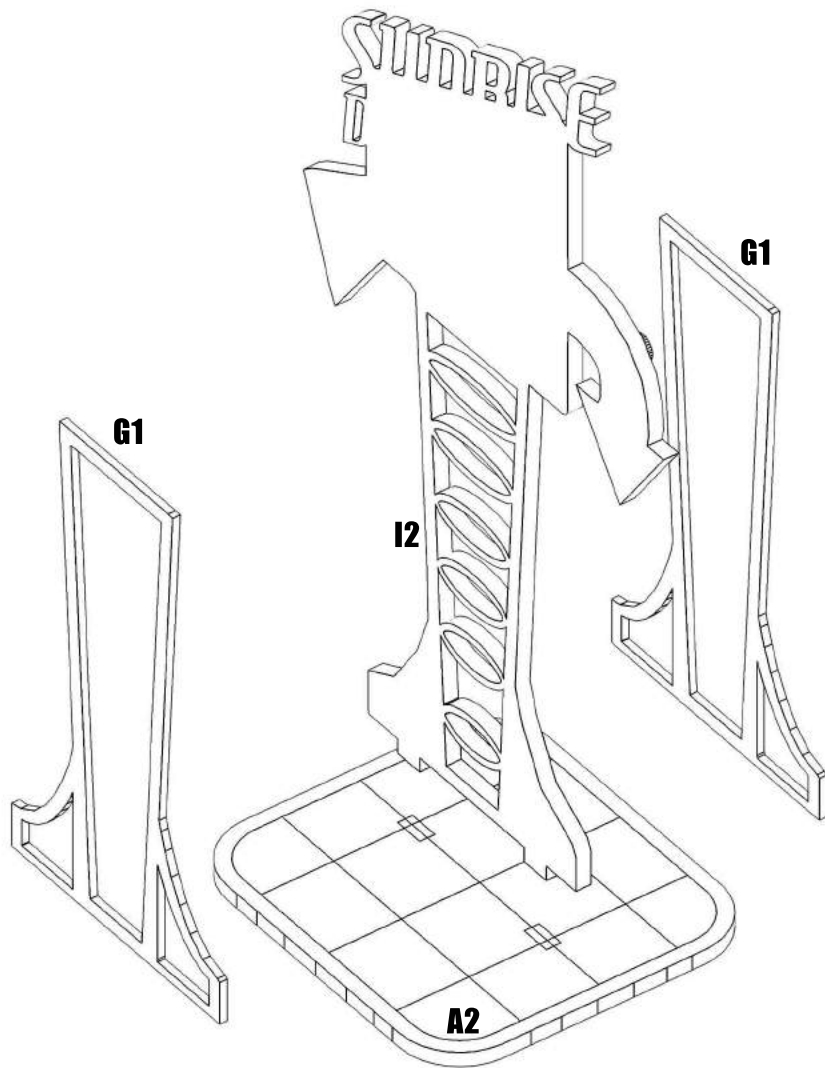




SUNRISE DINER - COM#9003

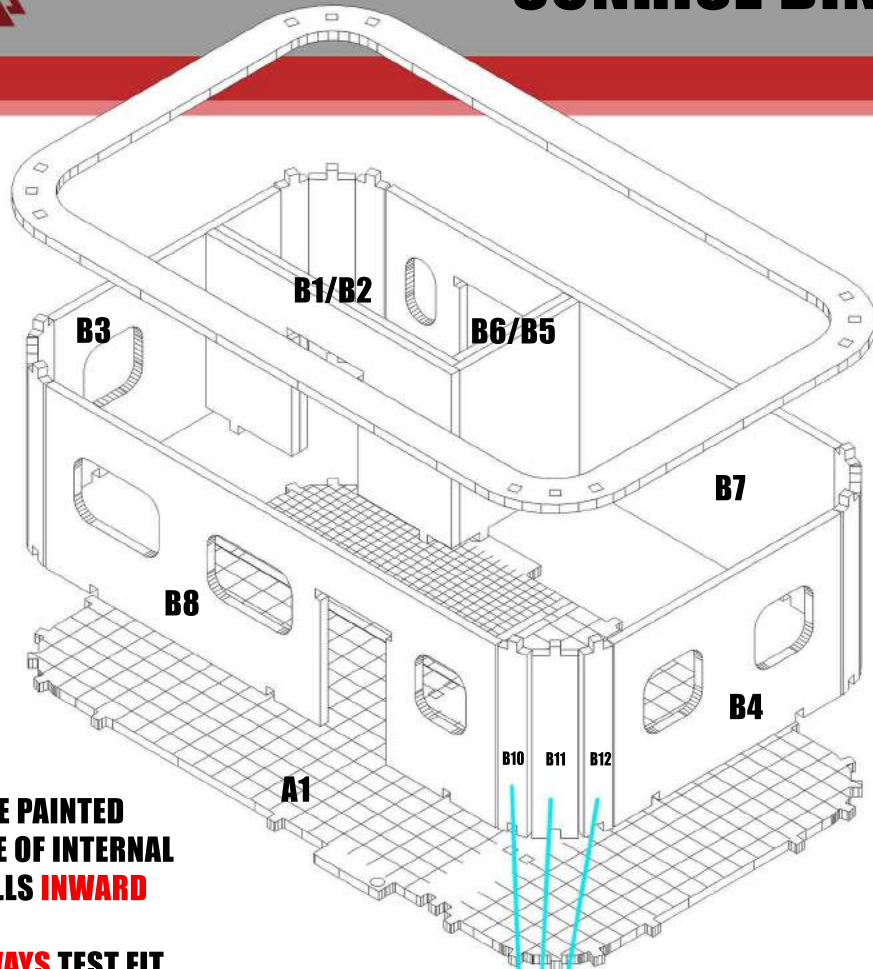


WE INCLUDED A SECOND SET OF LETTERS, YOU CAN GLUE THOSE TO THE ROOF OF THE BUILDING IF YOU LIKE

NOTE: ITS IMPORTANT WHEN WORKING WITH ACRYLIC PARTS, NOT TO USE TOO MUCH SUPERGLUE. IT CAN CLOUD OR DAMAGE THE FINISH



SUNRISE DINER - COM#9003

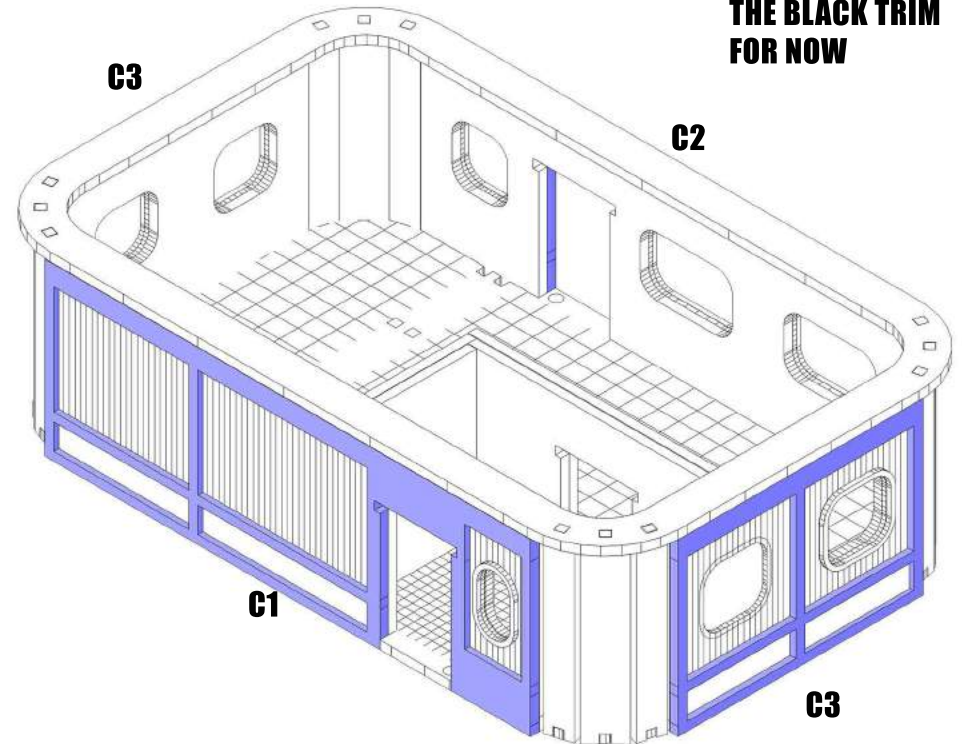


**FACE PAINTED
SIDE OF INTERNAL
WALLS **INWARD****

****ALWAYS** TEST FIT
WALLS BEFORE GLUING
THEM**

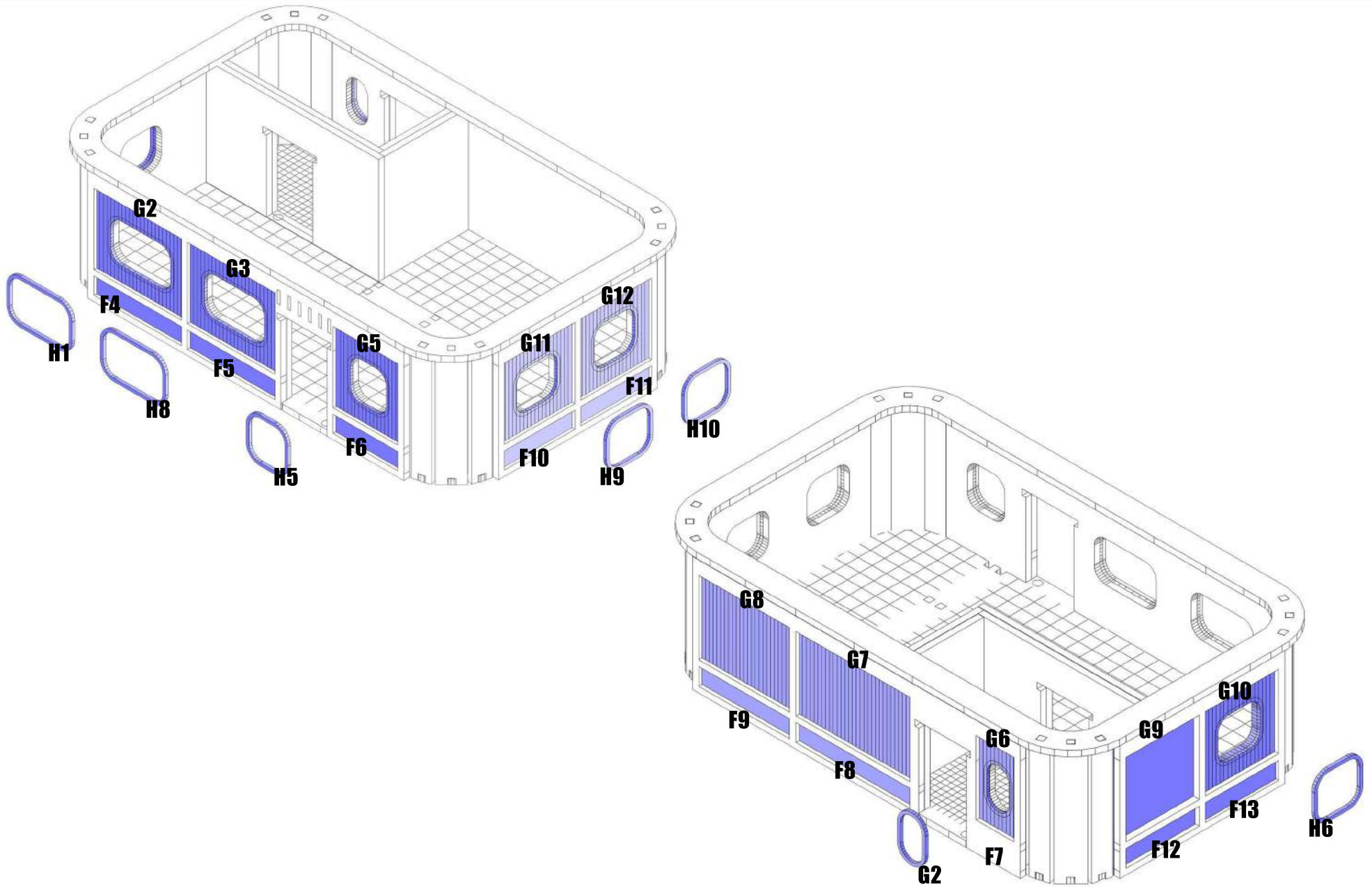
REPEAT FOR ALL
CORNERS

**ON THE NEXT PAGE
WE WILL FIT THE
OUTSIDE WALL
INLAYS, ONLY PLACE
THE BLACK TRIM
FOR NOW**



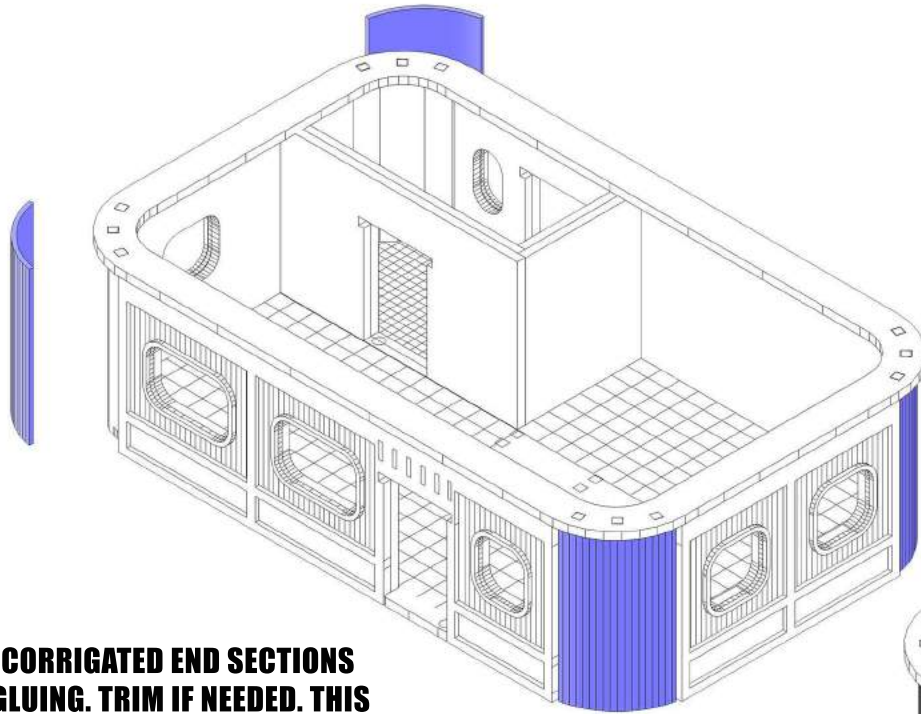


SUNRISE DINER - COM#9003

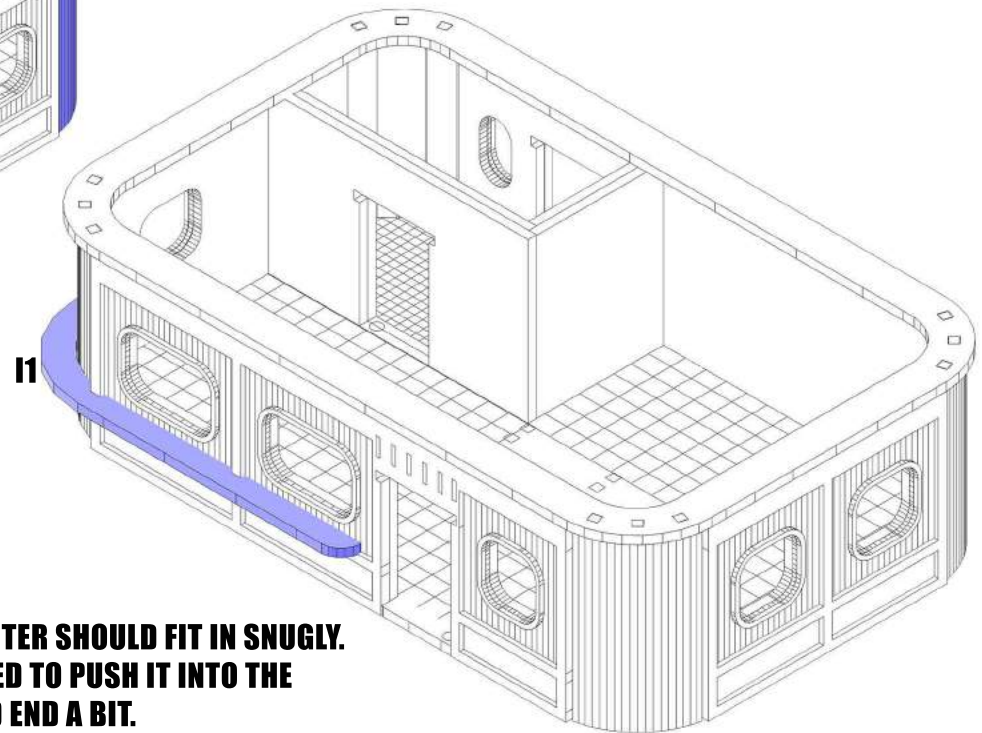




SUNRISE DINER - COM#9003



TEST FIT CORRIGATED END SECTIONS BEFORE GLUING. TRIM IF NEEDED. THIS MATERIAL IS DESIGNED TO CURVE NICELY

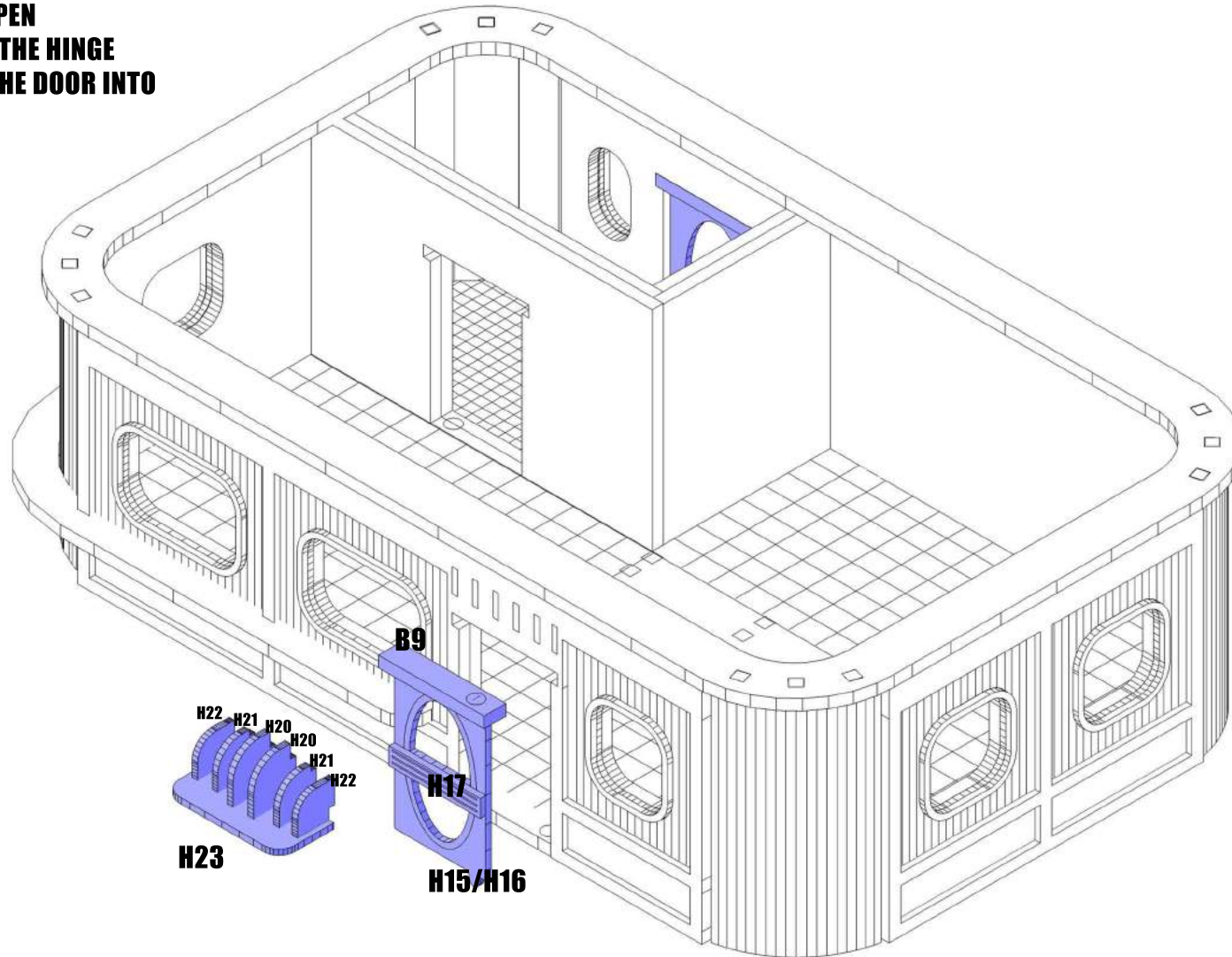


FRONT COUNTER SHOULD FIT IN SNUGLY. YOU MAY NEED TO PUSH IT INTO THE CORRIGATED END A BIT.



SUNRISE DINER - COM#9003

**DOORS SHOULD NOT BE GLUED IN
THEY ARE DESIGNED TO OPEN
AND CLOSE. SIMPLY GLUE THE HINGE
INTO THE TOP AND SLOT THE DOOR INTO
THE HOLES.**

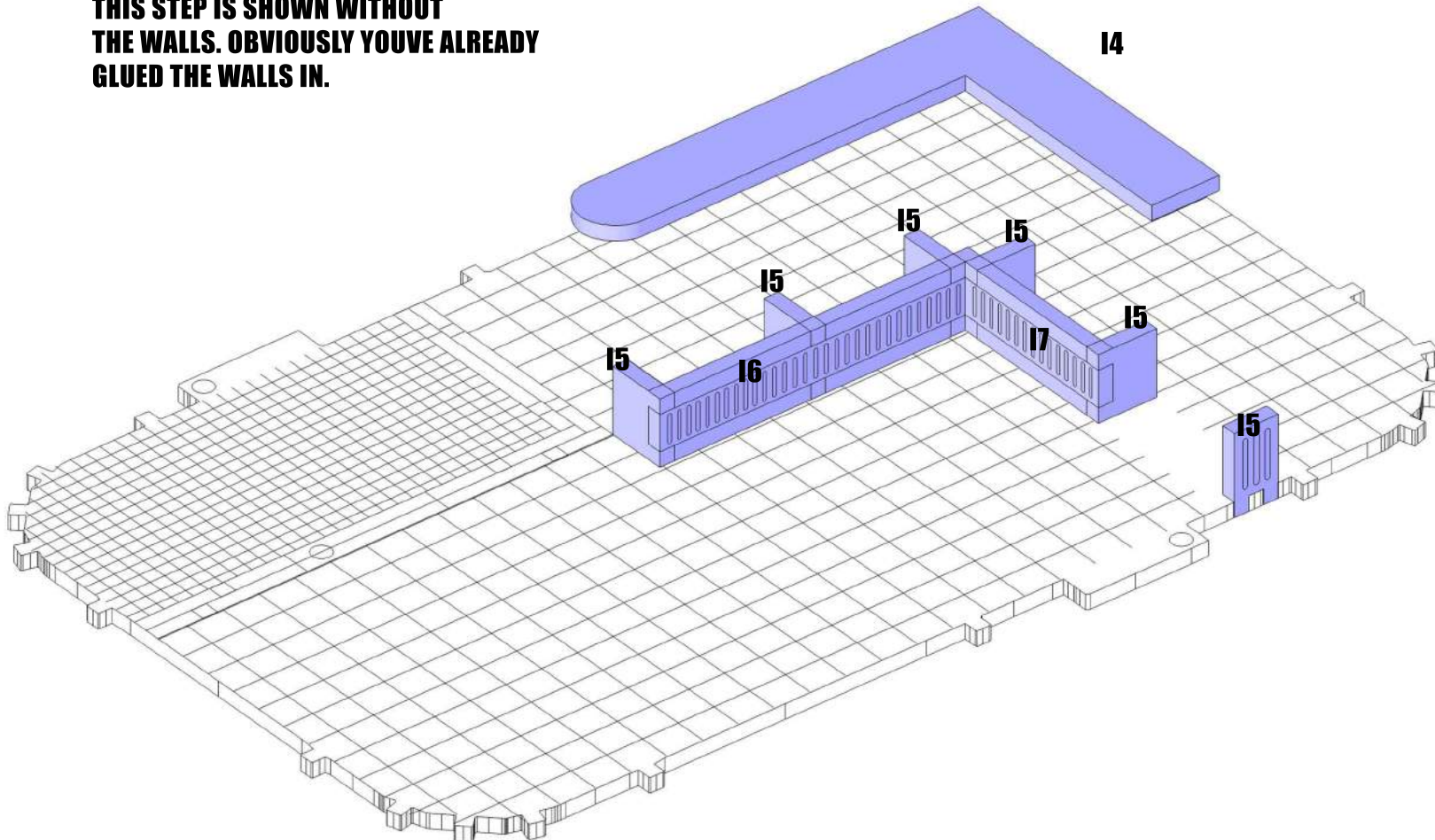


**THE FRONT AND BACK DOORS ARE LAMINATED
IN TWO HALVES. GLUE PART H15 & H16 TOGETHER
FIRST AND THEN GLUE THE PUSH BARS (H17) ON**



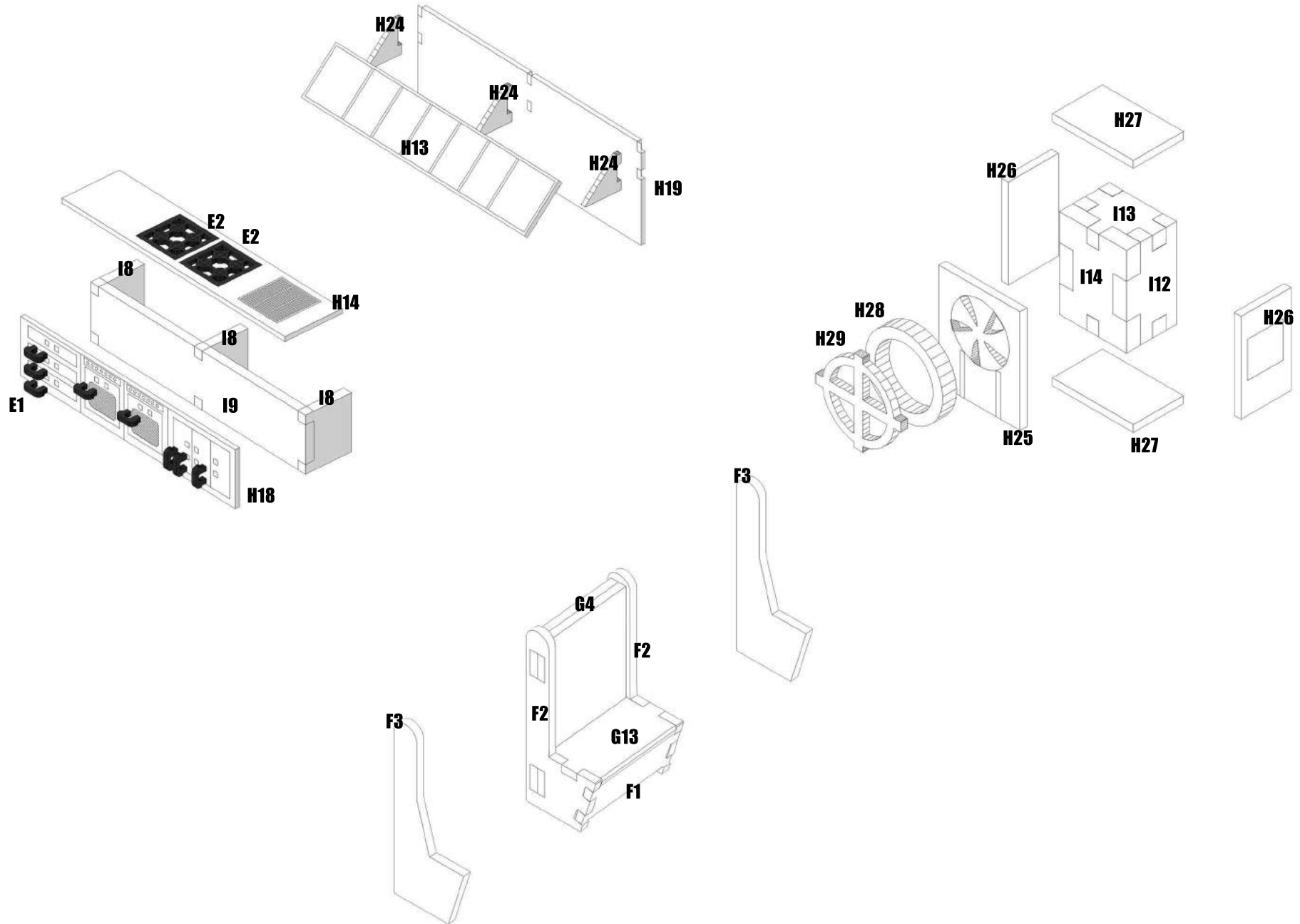
SUNRISE DINER - COM#9003

**THIS STEP IS SHOWN WITHOUT
THE WALLS. OBVIOUSLY YOUVE ALREADY
GLUED THE WALLS IN.**



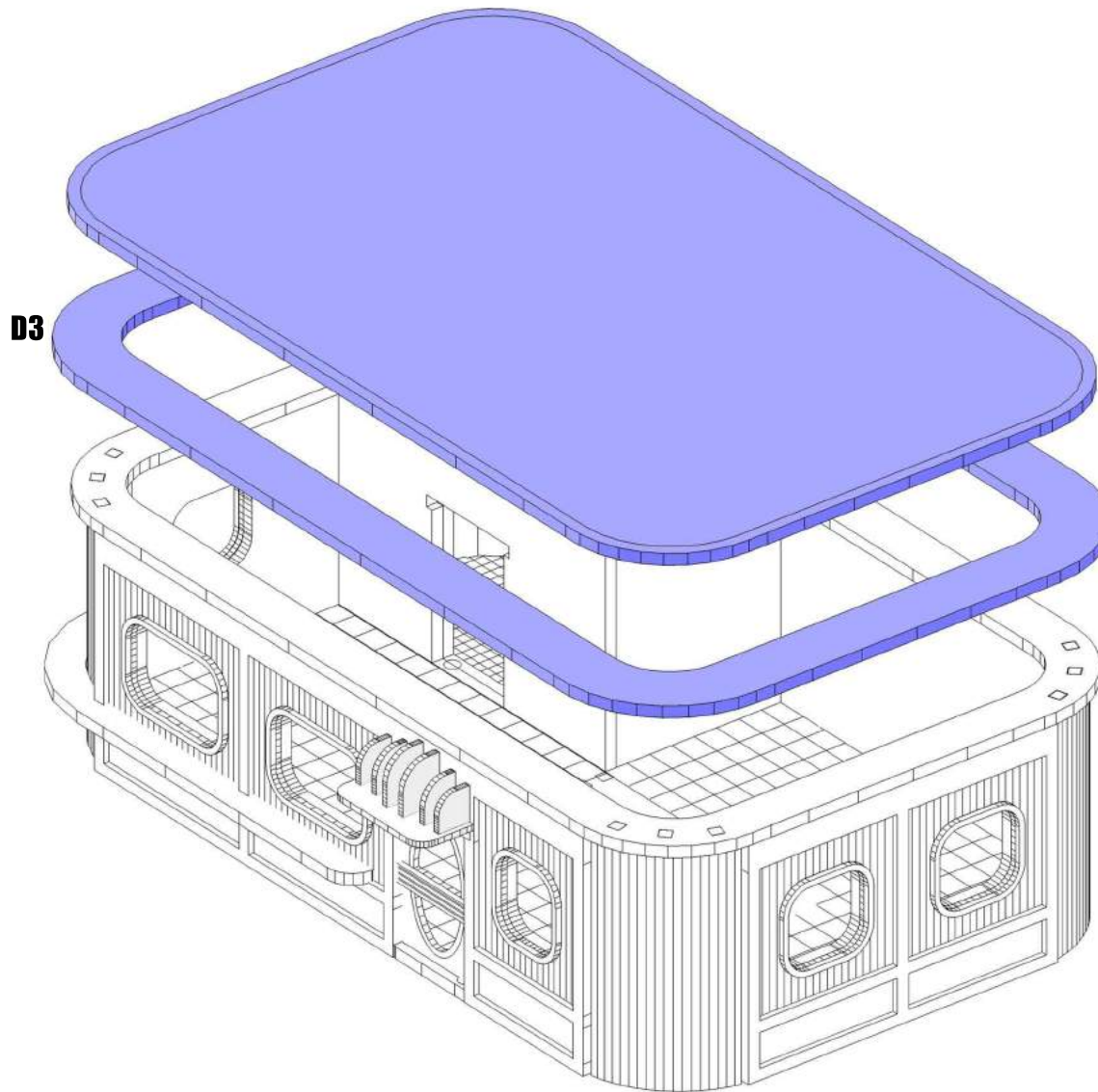


SUNRISE DINER - COM#9003





SUNRISE DINER - COM#9003



**USE THE WALL PEGS TO LINE UP
ROOF SECTIONS FOR GLUING.
WHILE YOU NEED TO GLUE
THE BLUE ITEMS TOGETHER,
YOU **DO NOT** WANT TO GLUE
THEM TO THE MAIN BUILDING.
THEY'RE DESIGNED TO BE
REMOVEABLE.**



SUNRISE DINER - COM#9003

THIS ROOF SECTION IS DESIGNED TO BE GLUED IN WHATEVER DIRECTION YOU WANT. IN THE PHOTOS WE GLUED IT LENGTHWAYS ACROSS THE ROOF. BUT IT WOULD LOOK COOL IN OTHER WAYS TOO!

USE LONG CURVED CORRUGATED PART TEST FIT AND BEND AS NEEDED.

