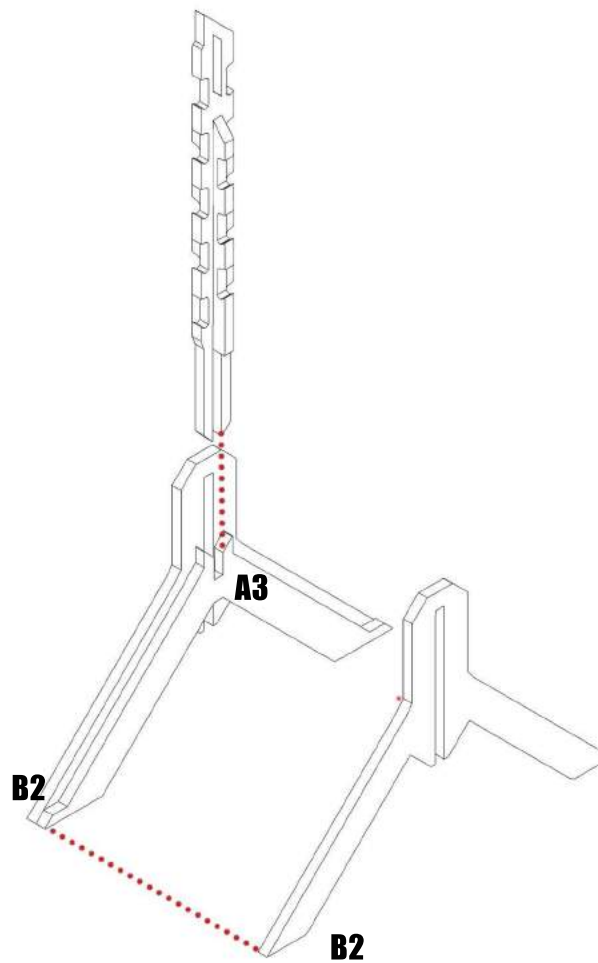
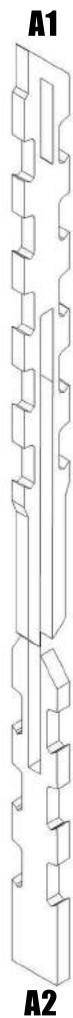




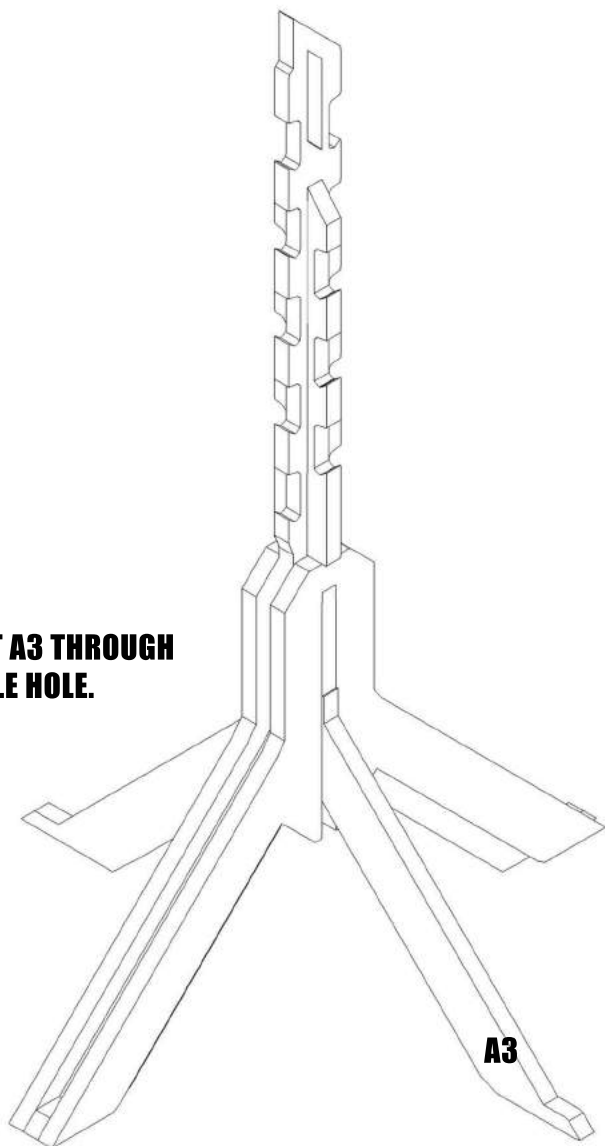
PSB INFO BLADE





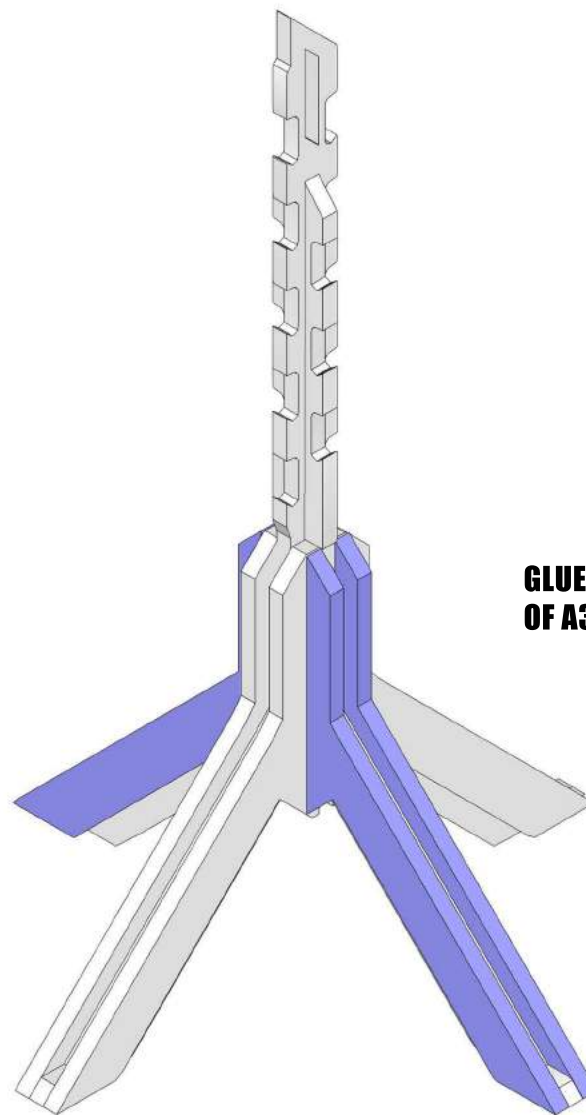
PSB INFO BLADE

**SLOT PART A3 THROUGH
THE MIDDLE HOLE.**



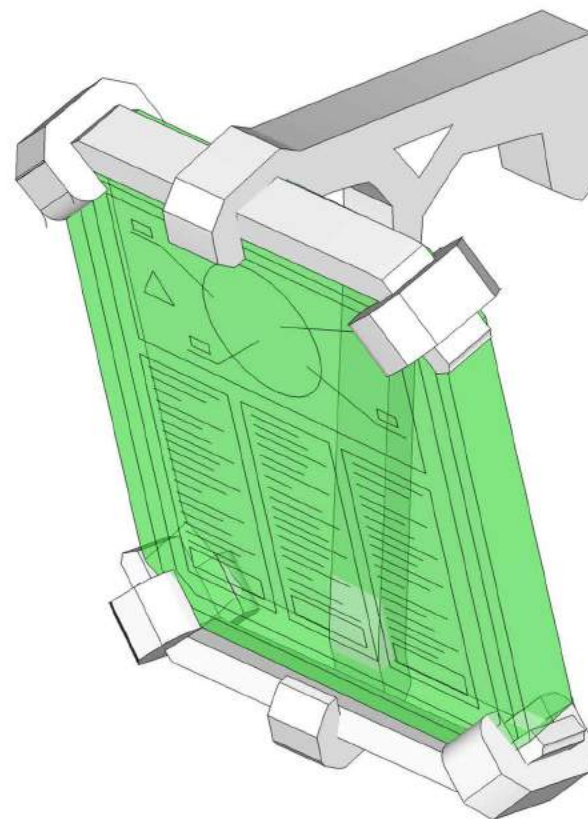
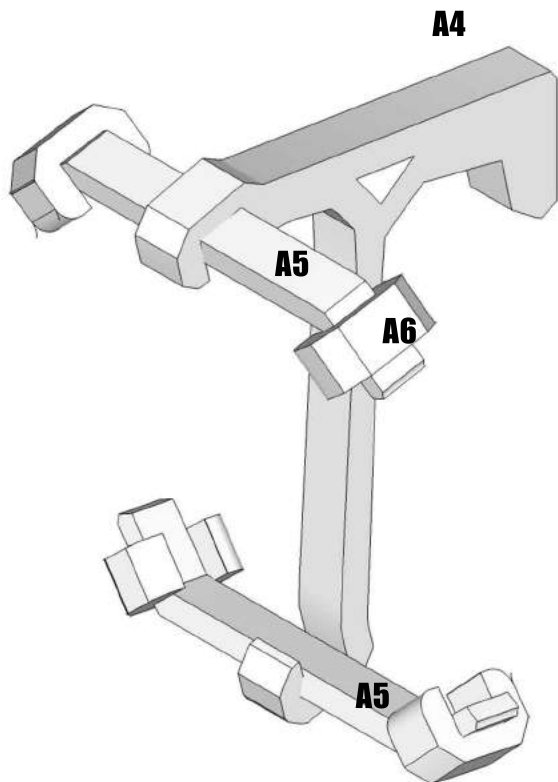
A3

**GLUE PARTS B1 TO SIDES
OF A3 AS SHOWN**





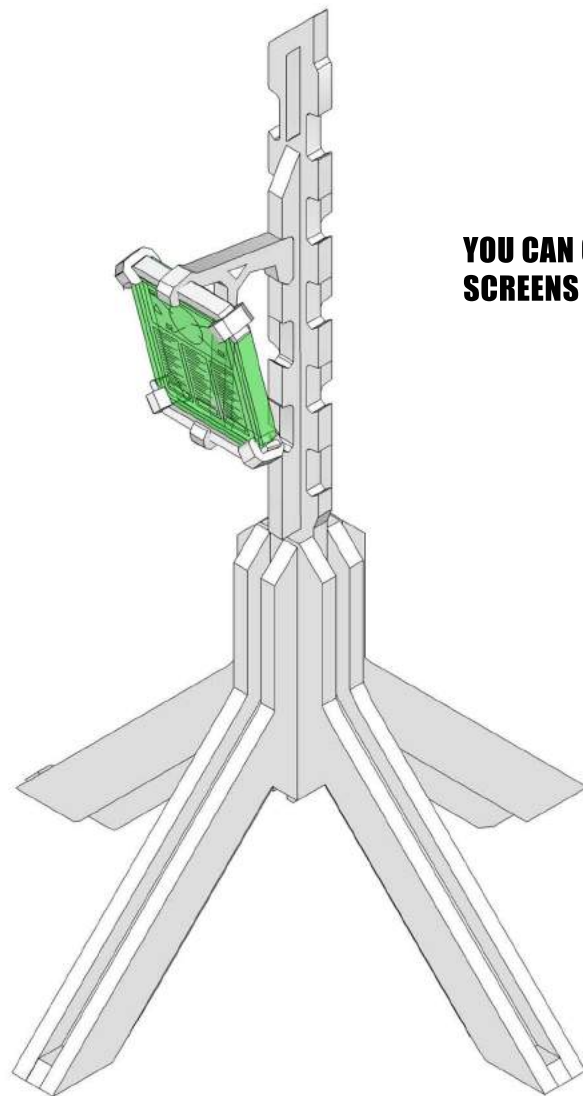
PSB INFO BLADE



BE VERY CAUTIOUS WHEN FITTING THE ACRYLIC PARTS INTO THE CRADLES. THEY ARE THIN AND CAN BREAK EASILY.



PSB INFO BLADE



**YOU CAN GLUE YOUR VARIOUS
SCREENS INTO ANY OF THESE SLOTS.**